



Manufacturing and marketing accessories of bodyworks for industrial vehicles since more than 50 years



**Own
Design**



**Own
Manufacturing**



**Care finest
detail**



**Permanent
Stock**



**Opening with
just one hand**

manufacturing and marketing
acesories of bodyworks for industrial vehicles.

We have **designed and developed**
the new **range of the door locking gear,**
taking care of even smallest details
and due of its ergonomic, allows its easy opening
with just one hand.

Permanent stock is avalaible on our warehouse to
be shipped within 24 hours.

All of them products might be **customized**
engraving by laser their text or corporative logo.



**Own
Design**



**Own
Manufacturing**



**Care finest
detail**



**Permanent
Stock**



**Opening with
just one hand**



New

EXTERNAL DOOR LOCKING HANDLE MODEL 341

Guide base suitable for use with rod of Ø27 mm. 24 mm height. 2 steps for opening (jointed system 22°). Guide base of 3 mm thickness. Door locking handle's thickness 2,5 mm. Polished stainless steel. Stainless steel flap with anti-cut system (opening contact area made by PA6+GRP).

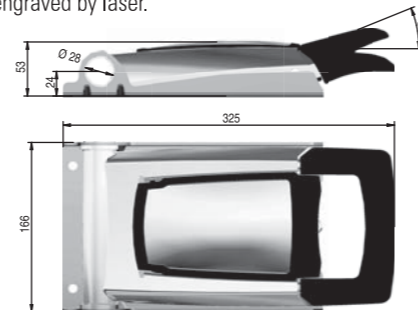
Options:
Matt finished.
Text or corporative logo engraved by laser.



Opening with just one hand

Reinforced guide base for durability

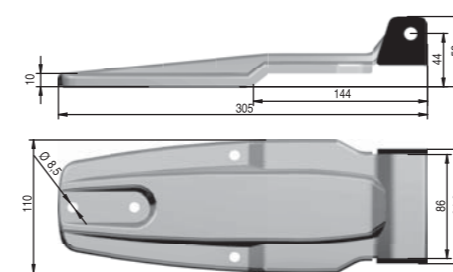
Antipanic system for internal opening (Ref.: 301621)



REAR DOOR HINGES FOR FRAME MODEL 200

Length of 305 mm. Blade hinge and bracket's of 3 mm. Black case made by PA6 (suitable for bolt of Ø10 mm). Polished stainless steel.

Options:
Matt finished.
Text or corporative logo engraved by laser.
Bracket to screw and weld on available.



New



New

EXTERNAL DOOR LOCKING HANDLE MODEL 340

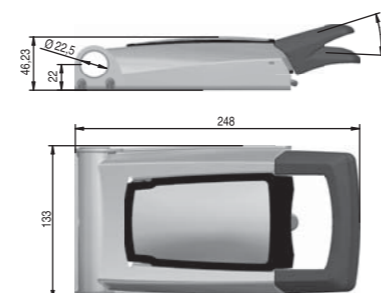
Guide base suitable for use with rod of Ø22 mm. 22 mm height. 2 steps for opening (jointed system 22°). Polished stainless steel. Stainless steel flap with anti-cut system (opening contact area made by PA6+GRP).

Options:
Matt finished.
Guide Base with flap.
Flap made by PA6+GRP black color available.
Suitable for use with rod of Ø21,3 mm available.
Left and Right hand opening system available.
Text or corporative logo engraved by laser.



Opening with just one hand

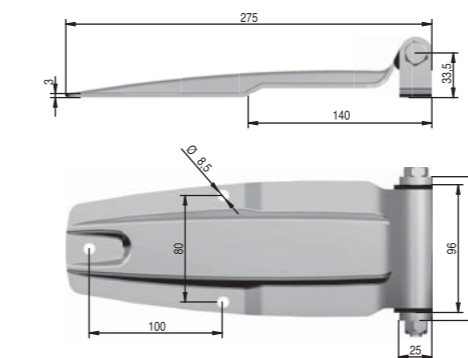
Antipanic system for internal opening (Ref.: 301621)



REAR DOOR HINGES MODEL 219

Length of 275 mm. Blade hinge's thickness of 3 mm. Bracket's thickness of 5 mm. The pin and nut might be manufactured by AISI 304 / AISI 316. Polished stainless steel.

Options:
Matt finished.
Text or corporative logo engraved by laser.
Brackets available: Bracket to screw, weld on and square on.



Matt

Polished



New

RECESSED DOOR LOCKING HANDLE MODEL 337, 338 AND 339

Recessed handle lock-pan suitable for stick of Ø16 mm. 2 steps for opening (jointed system 22°). Stainless steel flap with anti-cut system (opening contact area made by PA6+GRP).

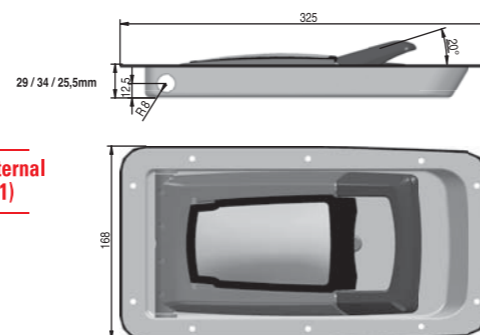
Rf.: 33716 I: Pan's depth of 29 mm. Polished Stainless steel.
Rf.: 33816 I: Pan's depth of 34 mm. Polished Stainless steel.
Rf.: 33916 I: Pan's depth of 25,5 mm. Polished Stainless steel.

Options:
Matt finished.
Flap made by PA6+GRP black color available.
Rubber black seal 1,5 mm thickness (Ref.: 300496) for assembly on 33716 I / 33816 I.
Text or corporative logo engraved by laser.



Opening with just one hand

Antipanic system for internal opening (Ref.: 301621)

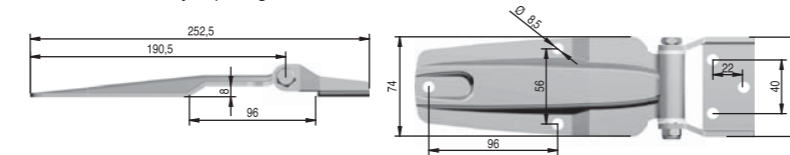


SIDE DOOR HINGES MODEL 20280

Length of 252 mm. Blade hinge and Bracket's thickness of 3 mm. Black case made by PA6. The pin and nut might be manufactured by AISI 304 / AISI 316. Polished stainless steel.

Options:
Matt finished.
Text or corporative logo engraved by laser.

Rubber jump long bracket available:



Rubber jump short bracket available:

